

GDZ-270 Butterfly Swing Hook

Features

- Can be installed on flat surface, corner and edge, etc.
- Can be used in various vertical and horizontal applications

Material

- Stainless steel 304, polished

Parts Included

- Truss head tapping screw 4×12



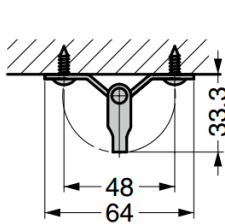
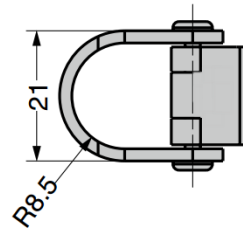
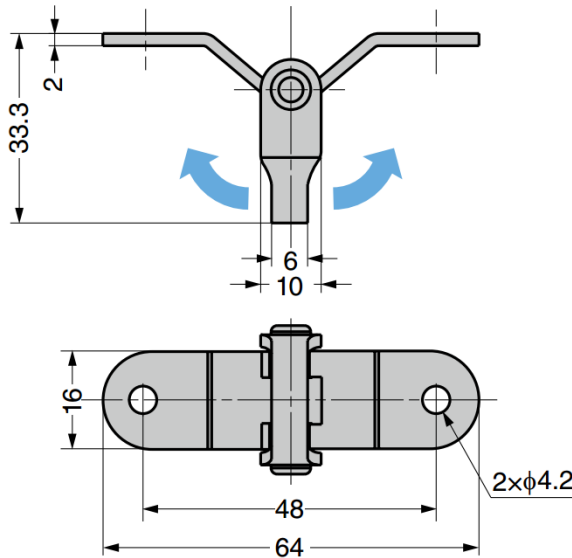
Flat surface mount



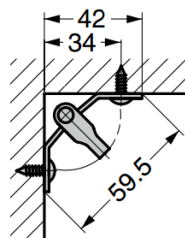
Corner mount



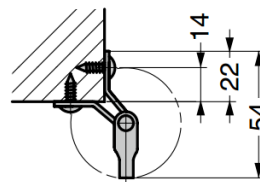
Edge mount



Flat surface mount (180°)



Corner mount (270°)



Edge mount (90°)

Part No.	Flat Surface		Flat Surface		Edge		Edge		Corner		Corner	
	Horizontal Mount	Vertical Mount	Horizontal Mount	Vertical Mount	Horizontal Mount	Vertical Mount	Horizontal Mount	Vertical Mount	Horizontal Mount	Vertical Mount	Horizontal Mount	Vertical Mount
	Load Capacity	Load Capacity	Load Capacity	Load Capacity	Load Capacity	Load Capacity	Load Capacity	Load Capacity	Load Capacity	Load Capacity	Load Capacity	Load Capacity
GDZ-270	59 N	6 kg	100 N	10 kg	29 N	3 kg	78 N	8 kg	55 N	5.6 kg	59 N	6 kg